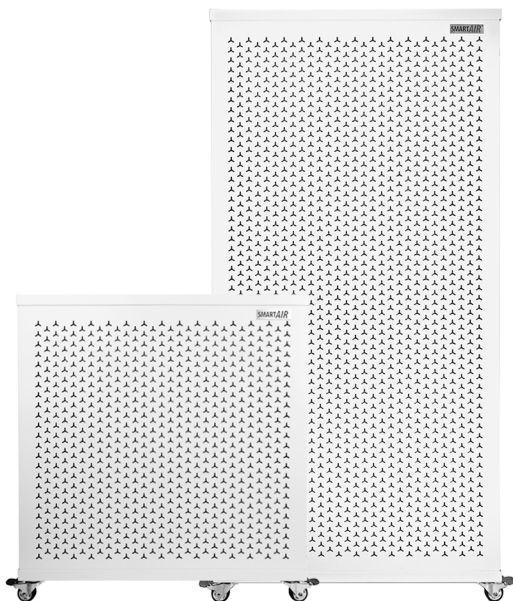




Blast & Blast Mini Air Purifier



Clean Air Is Not A Luxury.

READ AND SAVE THESE INSTRUCTIONS

WARNING – TO REDUCE THE RISK OF FIRE, ELECTRIC SHOCK, OR INJURY TO PERSONS, OBSERVE THE FOLLOWING:

- Read all instructions before using appliance.
- Use this unit only in the manner intended by the manufacturer. If you have questions, contact the manufacturer.
- Before servicing or cleaning unit, switch power off at service panel and lock the service disconnecting means to prevent power from being switched on accidentally. When the service disconnecting means cannot be locked, securely fasten a prominent warning device, such as a tag, to the service panel.
- To protect against electrical hazards, DO NOT immerse it in the water or other liquids. DO NOT use near wet area.
- Always unplug the air purifier before moving it. Change filters or clean the air purifier when it is not in use. Be sure to pull by the plug and not the cord.
- NEVER drop or insert any object into any openings of this unit.
- DO NOT run cord under carpeting. DO NOT cover cord with throw rugs, runners, or similar coverings. DO NOT route cord under furniture or appliances. Arrange cord away from traffic area and where it will not be tripped over.
- DO NOT operate any appliance with a damaged cord or plug. Discard fan or return to an authorized service facility for examination and/or repair.
- Use appliance only for intended household use as described in this manual. Any other use not recommended by the manufacturer may cause fire, electric shock or injury to persons.
- DO NOT attempt to repair or adjust any electrical or mechanical functions on this unit. Doing so will void your warranty. The inside of the unit contains no user serviceable parts. All servicing should be performed by qualified personnel only.
- Always turn off the unit before unplugging it to prevent the risk of electric shock.
- To reduce the risk of fire or electric shock, do not use this fan with any solid-state speed control device.
- This appliance can be used by children aged from 8 years and above under supervision.
- This appliance can be used by persons with reduced physical, sensory or mental capabilities or lack of experience and knowledge if they have been given supervision or instruction concerning use of the appliance in a safe way and understand the hazards involved.
- Children shall not play with the appliance. Cleaning and user maintenance shall not be made by children without supervision.




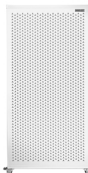
Correct Disposal of this product

This marking indicates that this product should not be disposed with other household wastes throughout the EU. To prevent possible harm to the environment or human health from uncontrolled waste disposal, recycle it responsibly to promote the sustainable reuse of material resources. To return your used device, please use the return and collection systems or contact the retailer where the product was purchased. They can take this product for environmental safe recycling.

High-Performance Air Purification

Blast and Blast Mini Air Purifiers provide safe, clean air for large indoor spaces like homes and commercial space. Equipped with industrial-grade motors and powerful airflow, they ensure high filtration efficiency (CADR) while operating quietly for a comfortable environment.

Blast and Blast Mini Specification

| | Particulate CADR | Noise Levels (low-high) | Power | Recommended Coverage Area |
|---|---------------------------------|-------------------------|-------|---|
|  | 743m ³ /hr 437cfm | 36-49dB(A) | 115W | 52-89 m ² 560-956 ft ² |
|  | 950m ³ /hr 599cfm | 29-43dB(A) | 118W | 66-114 m ² 710-1227 ft ² |

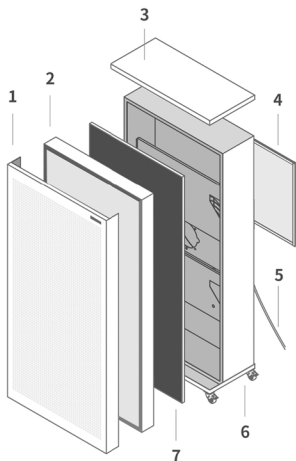
*Sound Pressure Level

About Smart Air

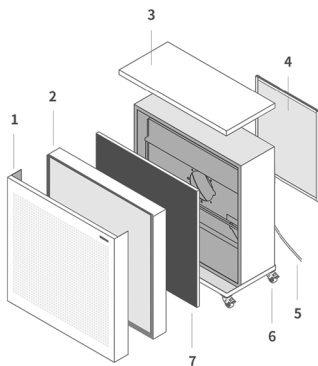
Smart Air is a social enterprise and certified B Corp dedicated to distributing cost-effective air purifiers and providing open-source data and science to combat the harms of air pollution.



Getting To Know Your Blast and Blast Mini



Blast Air Purifier



Blast Mini Air Purifier

- 1 Front Plate
- 2 HEPA Filter
- 3 Top Plate
- 4 Pre-filter
- 5 Power Cable
- 6 Lockable Wheels
- 7 Carbon Filter
(Sold Separately)

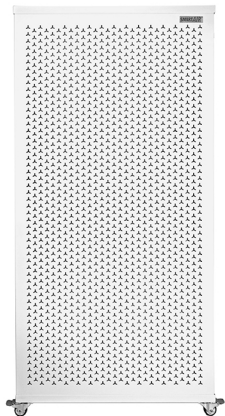
- 1 Front Plate
- 2 HEPA Filter
- 3 Top Plate
- 4 Pre-filter
- 5 Power Cable
- 6 Lockable Wheels
- 7 Carbon Filter
(Sold Separately)

The internal design of the Blast and Blast Mini is straightforward and efficient. Each unit includes a durable metal casing, a fan, a pre-filter, a HEPA filter, and an optional carbon filter. Along with delivering clean air, the Blast and Blast Mini also help you save on unnecessary costs.

Turning On Your Blast and Blast Mini

Follow these steps to start breathing cool, clean air:

Step 1: Take your Blast and Blast Mini out of the box.



Step 2: Plug the detachable cable into the unit and connect it to a wall socket.



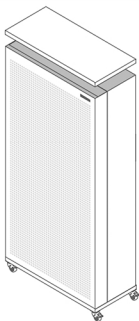
Step 3: Turn the dial clockwise to power on the unit.



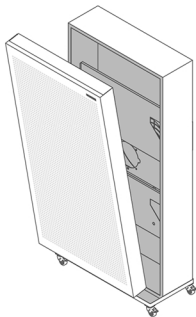
How To Replace The Filter

We recommend replacing the HEPA filter in the Blast every 7–14 months. For the Blast Mini, replace the HEPA filter every 5–11 months, depending on usage and settings.

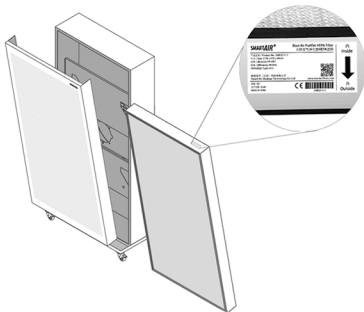
1. Lift off the top lid.



2. Remove the front cover and take out the filter.



3. Unwrap the new filters and install them. Insert the carbon filter into the HEPA filter groove, then fit both with the front cover into the base. Ensure the arrow on the sticker faces outward.



4. If you want to estimate the frequency of replacing HEPA filters based on your usage, please visit:

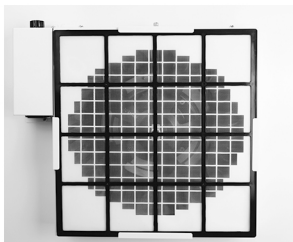
<https://smartairfilters.com/en/when-change-hepa-filter/>

Cleaning & Maintaining

It is recommended to clean and maintain the Blast and Blast Mini once a month. Disconnect the power, and wipe the body with a dry cloth.



Use a screwdriver to remove the top screw.



Slide the pre-filter up and out. You can wash it with a damp cloth or water. Make sure it's dry before putting it back.

*HEPA and Carbon filters cannot be washed and need regular replacement.

*DO NOT disassemble the device to clean the motor. If any malfunctions occur, as a result, after-sales service will not be provided.

Product Information v1.3

Product No.: CMKQ101

Dimensions: 1230mmx330mmx580mm

Recommended Coverage Area: 66-114m²

Power: 118W

Voltage: 220-240V~

HEPA Filter: H13

CADR: 950m³/hr

Noise: 29-43dB(A) *Sound Pressure Level

Material: Metal

Net Weight: 31kg

Product No.: CMKQ102

Dimensions: 630mmx330mmx576mm

Recommended Coverage Area: 52-89m²

Power: 115W

Voltage: 220-240V~

HEPA Filter: H13

CADR: 743m³/hr

Noise: 36-49dB(A) *Sound Pressure Level

Material: Metal

Net Weight: 21kg

Want to learn more about
Smart Air products?

Feel free to scan the QR code!



smartairfilters.com