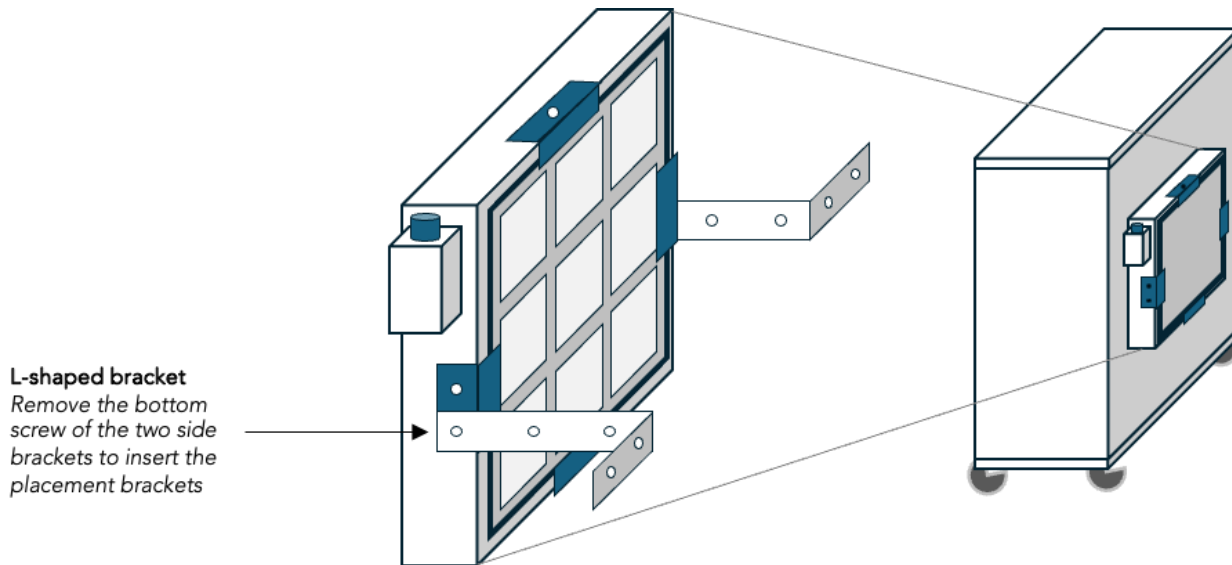


Blast / Blast Mini placement brackets



Designed for easy installation, the placement brackets ensure the correct distance from the wall for 100% airflow efficiency. The brackets also come with screws for affixing to the wall for permanent placement.

These brackets ensure the purifier is never backed up to the wall impeding airflow.

Installing your Blast or Blast Mini placement bracket is quick and easy. Just follow these simple steps:

- **Placement guidance:** Remove the lower screws from the two side brackets of the pre-filter at the back. Align the long side (12.5 cm) of the bracket with the pre-filter (short side faces the wall) and replace the screw. The right-angle can be placed inwards or outwards, the illustration here shows outwards.
- **Fixing to the Wall:** Follow the instructions above to attach the bracket to the unit. Push unit against the wall and use a pencil to mark the drill holes. Secure to the wall using the screws provided. Check the brackets are firmly attached for stability.

Airflow performance tests in the Smart Air lab:

- **5% airflow** when placed flat against the wall
- **94% airflow** at a distance of 4cm away from the wall
- **100% airflow** when placed 10cm away from the wall